

# VARIABLE SPEED SWING GATE OPERATORS

## Model VS-GSWG

### VS-GSWG VARIABLE SPEED INDUSTRIAL

- Integral APeX Controller
- For large/heavy swing gates
- Continuous-duty industrial motor, 1/2, 1, or 2 HP
- Linear drive arm — for positive security
- Full variable speed
- Soft start/soft stop capability
- All voltages, single or three-phase
- Powder coat finish
- Post mount standard; pad mount optional

**Linear**<sup>®</sup>  
*Building On Innovation.*



**EAGLE FENCE**  
★ DISTRIBUTING LLC ★

All Models ETL Listed;  
UL325 Compliant



Supporters and Proud Members of



## ELECTRICAL

- Solid state 24V control board UL325/UL991 compliant
- Diagnostic LED display for ease of setup and trouble shooting
- Variable speed — soft start/stop programmable through variable frequency drive
- 1/2, 1, & 2 HP industrial, continuous-duty, three-phase, 56-frame motors
- Integral entrapment sensing system with digital set point for accurate adjustment and enhanced safety
- Integrated maximum run and auto close timers
- Built-in dual gate capability using 3-wire shielded cable
- 24V DC power available for access control accessories
- Continuous-tone entrapment alarm with reset button
- Integrated warning beeper during gate movement
- Selectable pre-start alarm with provision for ADA compliant visual pre-start and run alarm

## MECHANICAL

- Heavy-duty 60:1 right-angle C-face gear reducer
- Exclusive linear drive arm
- Heavy-duty pillow-block bearings
- Adjustable torque limiter

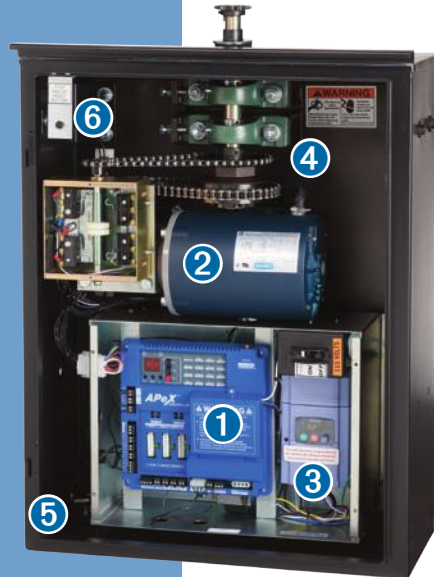
## CAUTIONS



- Automatic gates are not for pedestrians
- Automatic gate operators are designed for vehicular traffic only; operators are powerful and can cause serious injury or death; DIRECT ALL PEDESTRIAN TRAFFIC TO A SEPARATE PEDESTRIAN GATE
- UL325 requires use of contact or non-contact anti-entrapment devices
- ASTM F2200 requires that all exposed rollers are covered

## VS-GSWG SERIES SWING GATE OPERATOR SPECIFICATIONS

Model	HP	Voltage Single-Phase (Voltage Three-Phase)	Drive Type	Maximum Gate Length	Maximum Gate Weight	Seconds to Open	Shipping Weight
VS-GSWG-2	1/2	115 / 230 VAC (208 / 230 / 460 VAC)	linear	28'	1000 lbs	18-22	295 lbs
VS-GSWG-1	1	115 / 230 VAC (208 / 230 / 460 VAC)	linear	32'	1200 lbs	18-22	295 lbs
VS-GSWG-7	2	115 / 230 VAC (208 / 230 / 460 VAC)	linear	36'	1500 lbs	18-22	300 lbs



### 1 APeX Controller

- UL325/UL991 compliant 24VDC control module
- Full featured for access control, security, and entrapment protection
- Integral MegaCode receiver
- On-board 3-button station

### 2 Direct C-Face Motor to Gear Box Drive

- Designed for smooth and dependable power transmission

### 3 Variable Drive Speed

- Programmable variable speed controller for smooth gate operation and high gate speed

### 4 Heavy-Duty Components

- Adjustable torque limiter and heavy-duty pillow block bearings for smooth, reliable, quiet power transmission
- All models rated for continuous duty

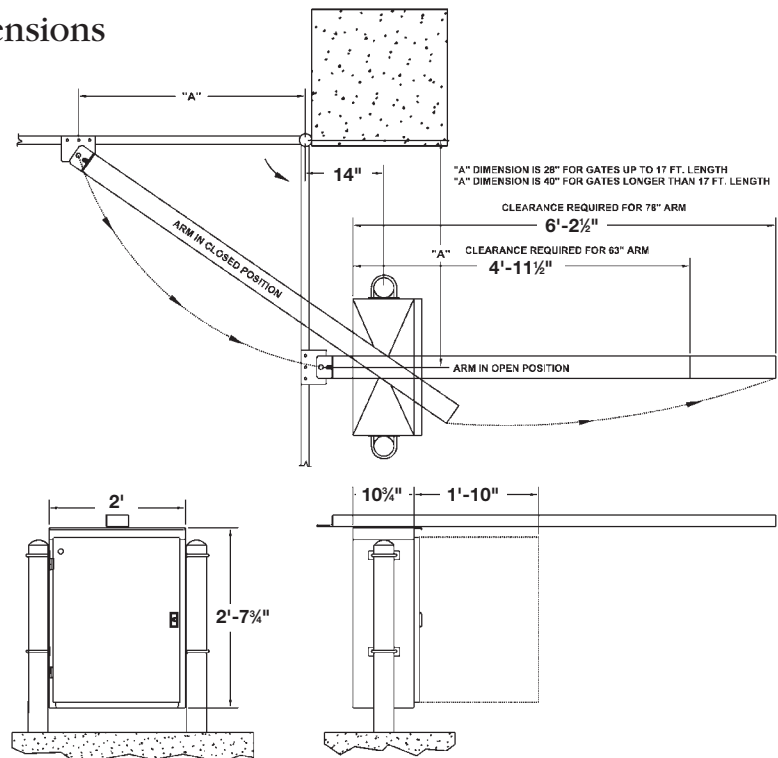
### 5 Weather-Resistant Cabinet

- Galvannealed steel cabinet with powder coat finish
- Lockable, gasketed, hinged, and removable front cover

### 6 Standard Convenience Features

- Exterior stop/reset button
- Power on/off button

## Dimensions



**Linear**<sup>®</sup>  
 Building On Innovation.

(800) 421-1587 • www.linearcorp.com